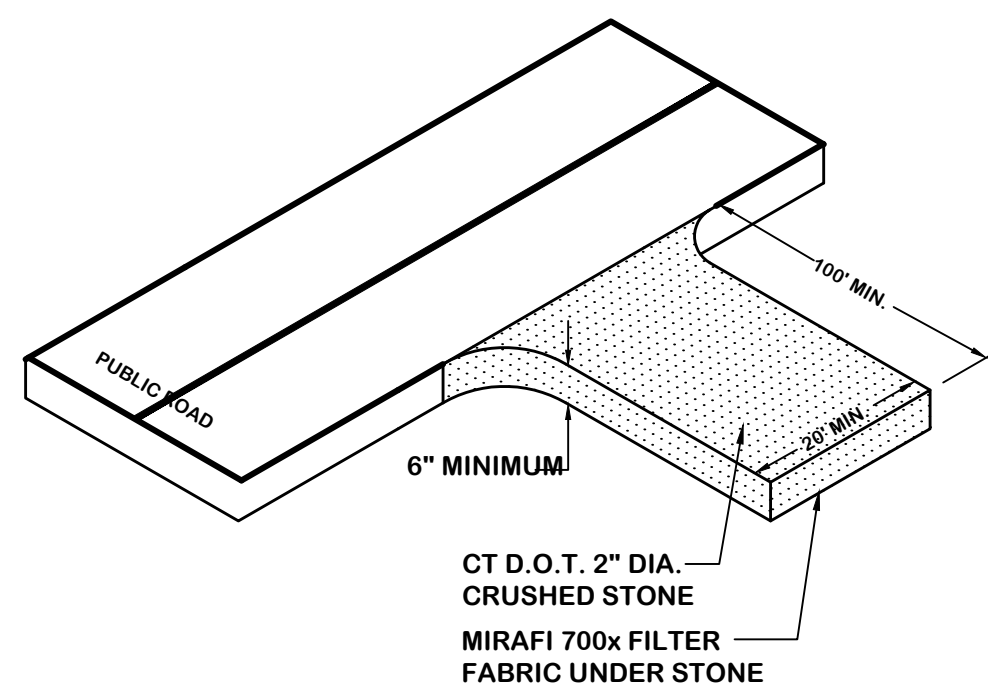


CONSTRUCTION SPECIFICATIONS

- ALL TEMPORARY SWALES SHALL HAVE UNINTERRUPTED POSITIVE GRADE TO AN OUTLET.
 - DIVERTED RUNOFF FROM A DISTURBED AREA SHALL BE CONVEYED TO A SEDIMENT TRAPPING DEVICE.
 - DIVERTED RUNOFF FROM AN UNDISTURBED AREA SHALL OUTLET DIRECTLY INTO AN UNDISTURBED STABILIZED AREA AT NON-EROSIVE VELOCITY.
 - ALL TREES, BRUSH, STUMPS, OBSTRUCTIONS, AND OTHER OBJECTIONABLE MATERIAL SHALL BE REMOVED AND DISPOSED OF SO AS NOT TO INTERFERE WITH THE PROPER FUNCTIONING OF THE SWALE.
 - THE SWALE SHALL BE EXCAVATED OR SHAPED TO LINE, GRADE, AND CROSS SECTION AS REQUIRED TO MEET THE CRITERIA SPECIFIED HEREIN AND BE FREE OF BANK PROJECTIONS OR OTHER IRREGULARITIES WHICH WILL IMPEDE NORMAL FLOW.
 - FILLS SHALL BE COMPACTED BY EARTH MOVING EQUIPMENT.
 - ALL EARTH REMOVED AND NOT NEEDED FOR CONSTRUCTION SHALL BE PLACED SO THAT IT WILL NOT INTERFERE WITH THE FUNCTIONING OF THE SWALE.
 - STABILIZATION SHALL BE AS PER THE FLOW CHANNEL STABILIZATION CHART BELOW:
- | TYPE OF TREATMENT | CHANNEL GRADE | A(5 AC. OR LESS) | B(5 AC -10AC) |
|-------------------|---------------|----------------------------------|---|
| 1 | 0.5-3.0% | SEED AND STRAW MULCH | SEED AND STRAW MULCH |
| 2 | 3.1-5.0% | SEED AND STRAW MULCH | SEED USING JUTE OR EXCELSIOR |
| 3 | 5.1-8.0% | SEED WITH JUTE OR EXCELSIOR, SOD | LINED WITH 4-8" RIP-RAP OR RECYCLED CONCRETE EQUIVALENT |
| 4 | 8.1-20% | LINED WITH 4-8" RIP-RAP | ENGINEERED DESIGN |
- PERIODIC INSPECTION AND REQUIRED MAINTENANCE MUST BE PROVIDED AFTER EACH RAIN EVENT.

I TEMPORARY SWALE

N.T.S.

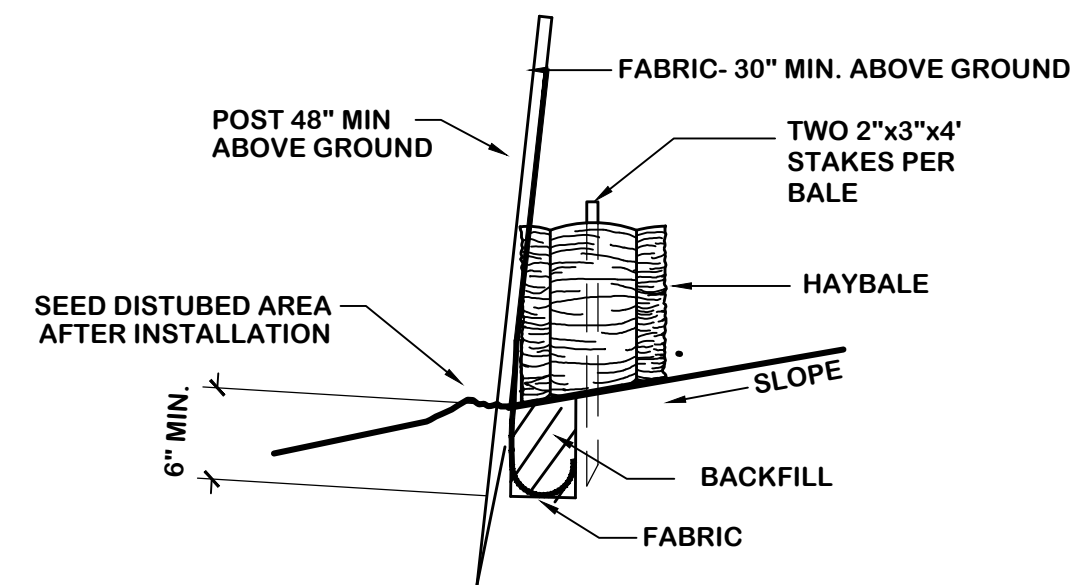


- STONE SIZE- USE 2" STONE OR RECLAIMED OR RECYCLED CONCRETE EQUIVALENT.
- LENGTH- NOT LESS THAN 100'
- DEPTH- NOT LESS THAN 6"
- WIDTH- 12' MINIMUM, BUT NOT LESS THAN THE FULL WIDTH AT POINTS WHERE THE INGRESS AND EGRESS OCCURS. 24' IF SINGLE ENTRANCE TO SITE.
- FILTER CLOTH- WILL BE PLACED OVER THE ENTIRE AREA PRIOR TO THE PLACEMENT OF STONE.
- SURFACE WATER- ALL SURFACE WATER FLOWING OR DIVERTED TOWARD CONSTRUCTION ENTRANCES SHALL BE PIPED ACROSS THE ENTRANCE. IF PIPING IS IMPRACTICAL, A MOUNTABLE BERM WITH 5:1 SLOPES WILL BE PERMITTED.
- MAINTENANCE- THE ENTRANCE SHALL BE MAINTAINED IN A CONDITION WHICH WILL PREVENT THE TRACKING OR FLOWING OF SEDIMENTS ONTO PUBLIC RIGHTS-OF-WAY. ALL SEDIMENT SPILLED, DROPPED, WASHED OR TRACKED ONTO PUBLIC RIGHTS-OF-WAY MUST BE REMOVED IMMEDIATELY.
- WHEN WASHING IS REQUIRED, IT SHALL BE DONE IN AN AREA STABILIZED WITH STONE AND WHICH DRAINS INTO AN APPROVED SEDIMENT TRAPPING DEVICE.
- PERIODIC INSPECTION AND NEEDED MAINTENANCE SHALL BE PROVIDED AFTER EACH RAIN.

II CONSTRUCTION ENTRANCE

N.T.S.

**PRIOR TO START OF CONSTRUCTION
CALL 1-800-922-4455 BEFORE YOU DIG!**

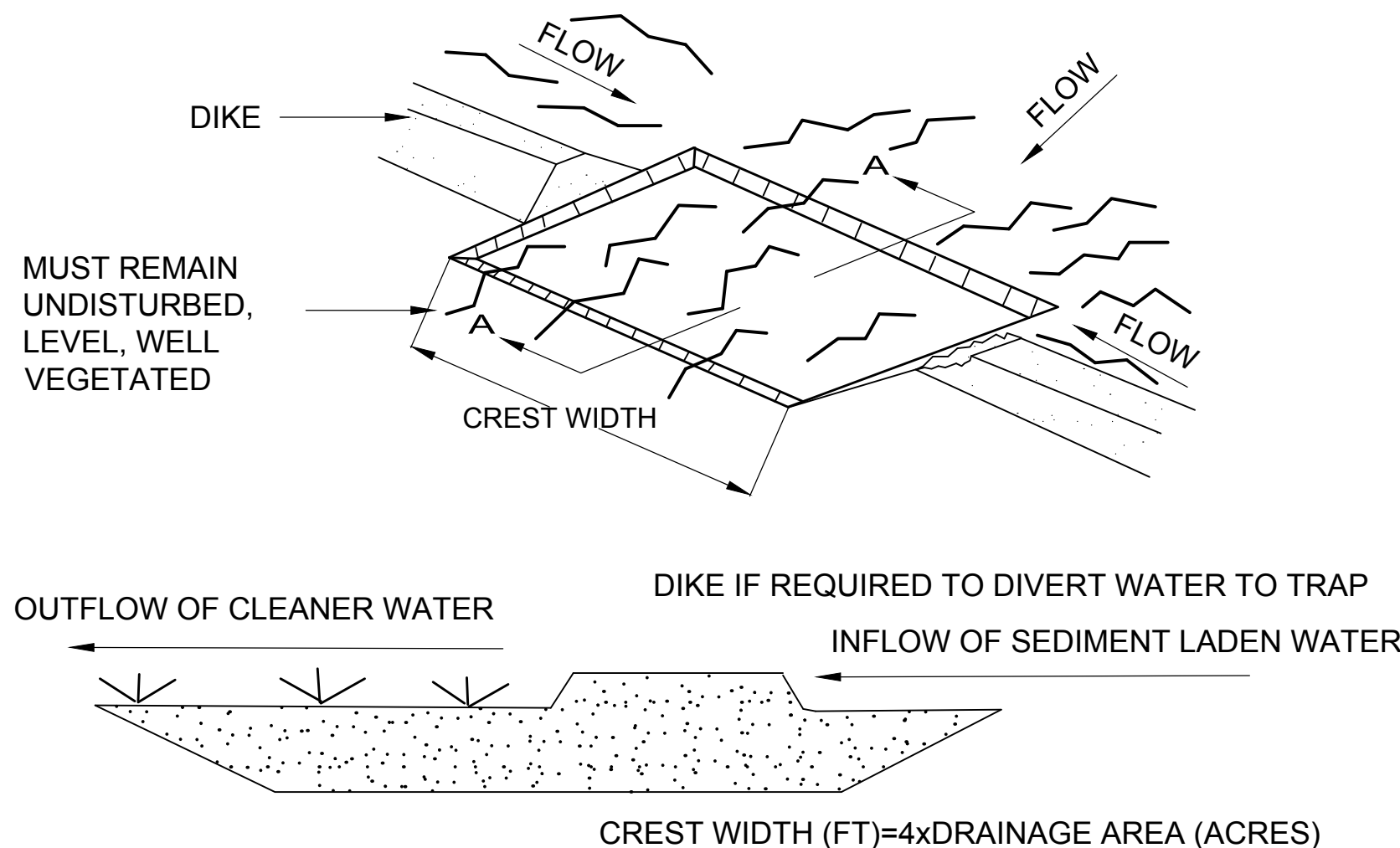


- NOTES: SILT FENCE INSTALLATION:**
- USE 2" X 2" X 7' STAKES OF WOOD OR METAL SPACED 6' TO 10' APART.
 - BURY FABRIC ON UPHILL SIDE 6" DEEP WITH FABRIC CURLED UPSLOPE.
 - SECURE FABRIC TO EACH STAKE. FILTER FABRIC TO BE GEOTAB MATERIAL OR APPROVED EQUAL.
 - ANGLE STAKES TOWARD WATER SOURCE.
 - OVERLAP ENDS OF FABRIC TO PROHIBIT WATER FROM ESCAPING AROUND ENDS.

- HAYBALE INSTALLATION:**
- INSTALL HAYBALE UPHILL OF SILT FENCE.
 - BUTT ENDS OF HAYBALE TIGHTLY.

IV SILT FENCE/HAYBALE BARRIER DETAIL

N.T.S.



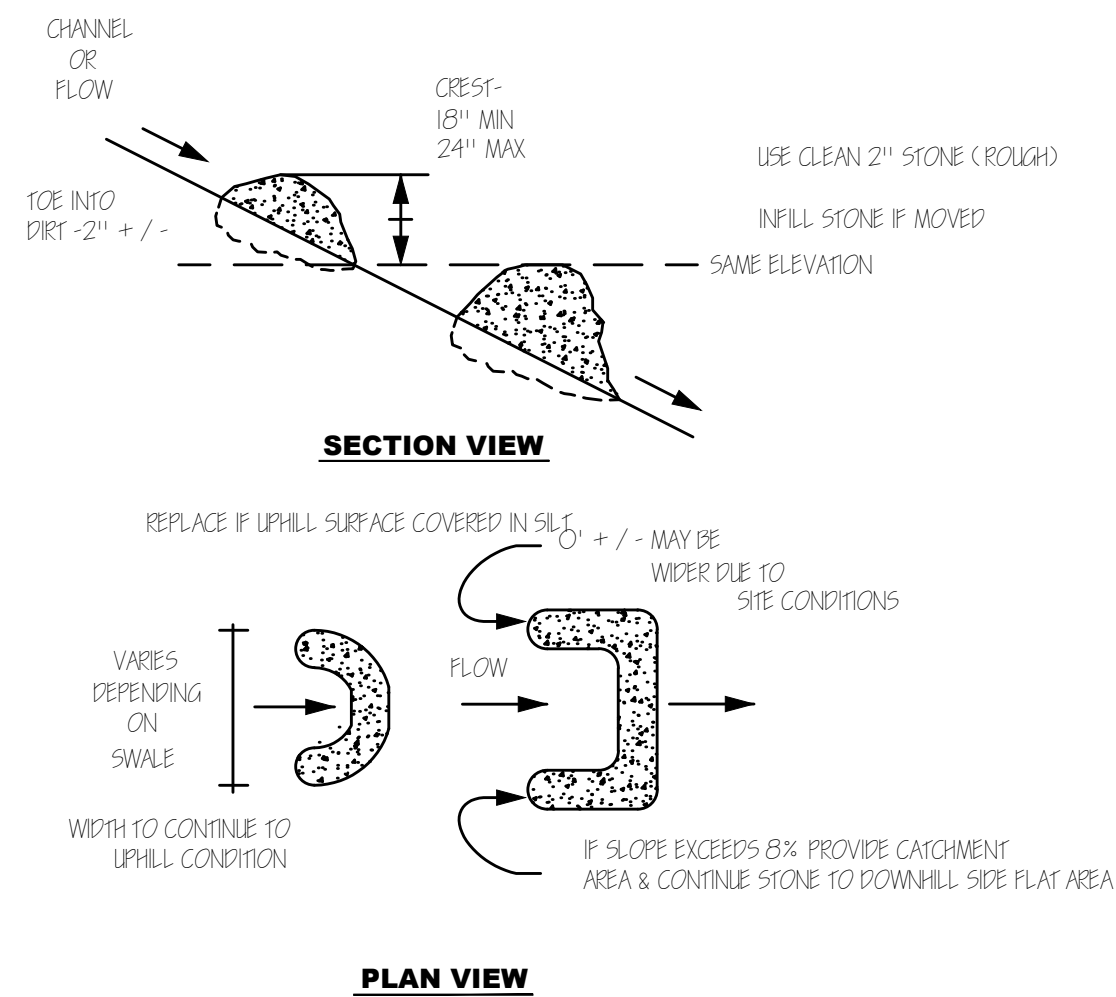
CONSTRUCTION SPECIFICATIONS

- VOLUME OF SEDIMENT STORAGE SHALL BE 1800 CUBIC FEET PER ACRE OF CONTRIBUTORY DRAINAGE AREA.
- MINIMUM CREST WIDTH SHALL BE 4 x DRAINAGE AREA
- SEDIMENT SHALL BE REMOVED AND TRAP RESTORED TO ITS ORIGINAL DIMENSIONS WHEN THE SEDIMENT HAS ACCUMULATED TO 1/2 THE DESIGN DEPTH OF THE TRAP. REMOVED SEDIMENT SHALL BE DEPOSITED IN A SUITABLE AREA AND IN SUCH A MANNER THAT IT WILL NOT ERODE.
- THE STRUCTURE SHALL BE INSPECTED AFTER EACH RAIN AND REPAIRS MADE AS NEEDED.
- CONSTRUCTION OPERATIONS SHALL BE CARRIED OUT IN SUCH A MANNER THAT EROSION AND WATER POLLUTION SHALL BE MINIMIZED.
- THE SEDIMENT TRAP SHALL BE REMOVED AND AREA STABILIZED WHEN THE REMAINING DRAINAGE AREA HAS BEEN PROPERLY STABILIZED.
- ALL CUT SLOPES SHALL BE 1:1 OR FLATTER.

MAXIMUM DRAINAGE AREA: 5 ACRES

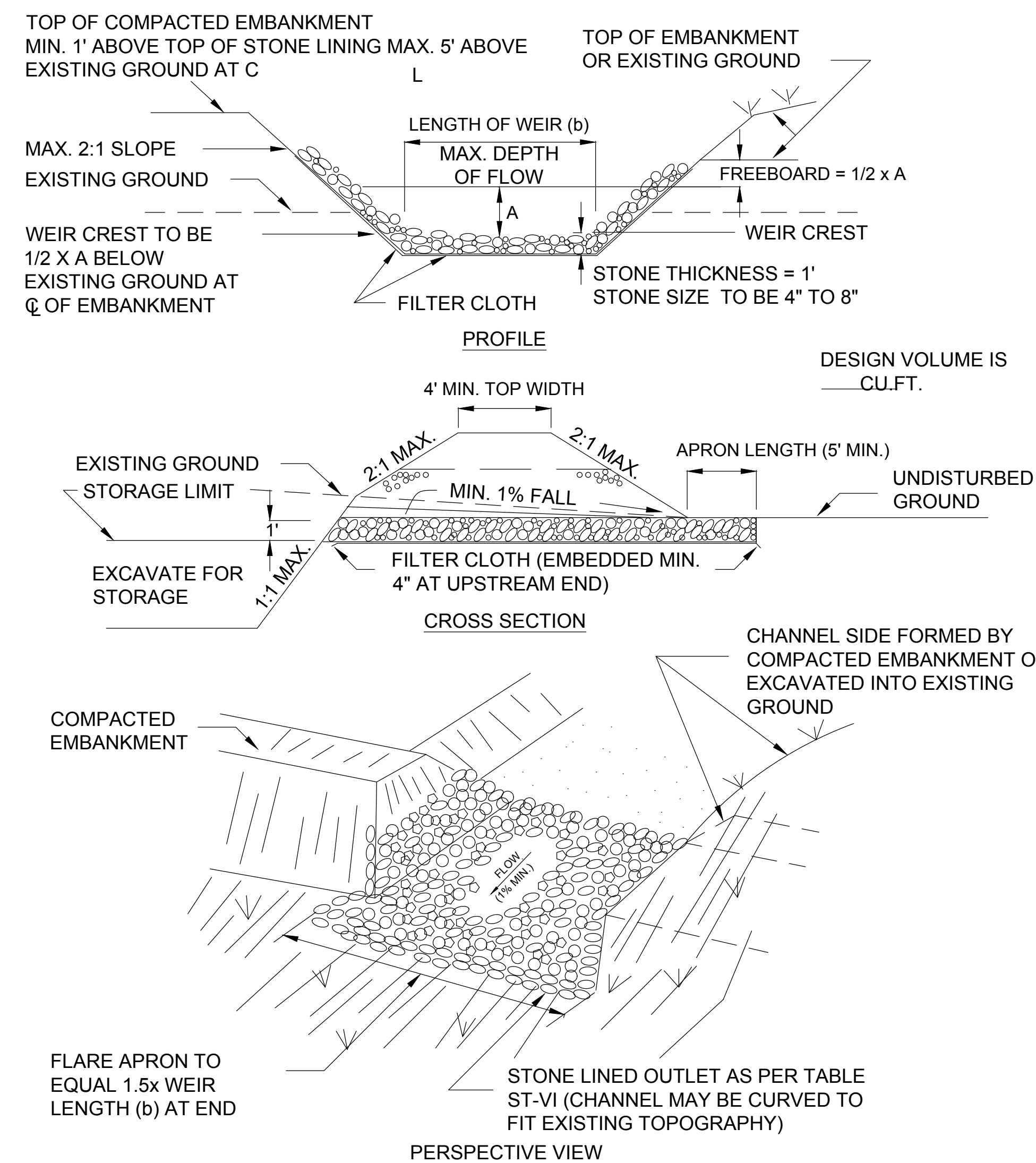
VI GRASS OUTLET SEDIMENT TRAP

N.T.S.



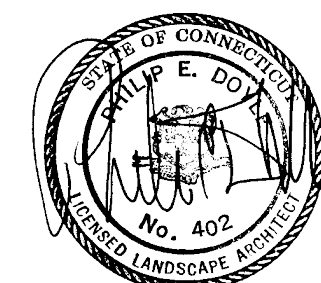
VII STONE CHECK DAMS

N.T.S.



VIII RIPRAP OUTLET SEDIMENT TRAP: ST-VI

N.T.S.



Date	Description	No.
04/08/22	Comments	1

Date	Description	No.
	Revisions	